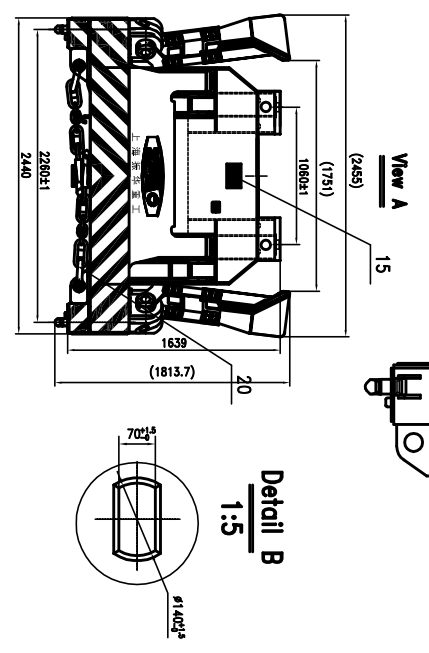


TECHNICAL PARAMETER

SPREADER TYPE		20' / 40' / 45' / twin-twenty expanding twin-lift spreader	
STANDARD	8' X 8' X 20'	ISO STANDARD	8' X 8' X 45'
SPECIFICATION	2260X5852		2260X11984
TWISTLOCK DISTANCE	2260X11984		2260X13510
LIFTING CAPACITY	single-lift	51MT	twin-lift
PUMP		HYDRAULIC PUMP	
DRIVE	TYPE	M20A132M-4-B35	QUANTITY
DEVICE	POWER	7.5kw	PRESSURE
	ROTATING SPEED	1.440r.p.m	FLOW
	TWISTLOCK DEVICE	INDICATOR DEVICE	FLIPPER DEVICE
	ANGLE/STROKE	90°	~180°
	TIME	~1S	~30S
	TYPE	HYDRAULIC CYLINDER	HYDRAULIC MOTOR
	QUANTITY	2	4
	PRESSURE	110bar	170bar
	SPEC	φ40/φ25	KJ330-1Y 11A-088-4U-0-F
	STROKE	~110mm	~164r



技术要求

1. 45° 时，叉架与轨道之间的间隙 ≤ 5mm。
  2. 40° 时，叉架与轨道之间的间隙 ≤ 5mm。
  3. 20° 时，叉架与轨道之间的间隙 ≤ 5mm。
1. The deviation between the diagonals of twistlock pins must be not exceed 5mm when spreader at 45° station.  
 2. The deviation between the diagonals of twistlock pins must be not exceed 5mm when spreader at 40° station.  
 3. The deviation between the diagonals of twistlock pins must be not exceed 5mm when spreader at 20° station.

25	LEV-2402-00	提升系统	1	6	6
24	LUP01-2402-00	提升系统	1	22.5	22.5
23	TEB000-2402-00	提升系统	1	3	3
22	US04-008	提升系统	1	2.4	2.4
21	LEV-2402-00	提升系统	2	24	24
20	SLS-2402-00	提升系统	2	72	144
19	EM04-2402-00	提升系统	1	42	42
18	LU00-00	提升系统	4	7	28
17	HPU00-2402-00	提升系统	1	500	500
16	HTSD-2402-00	提升系统	1	10	10
15	SS000-2402-00	提升系统	1		
14	AS1-2402-0200	提升系统	1	35	35
13	EC04-2402-00	提升系统	1	114	114
12	EB000-2402-00	提升系统	2	55	110
11	EMUS04-2402-00	提升系统	4	11.5	46
10	OC1-2402-0100	提升系统	1		
9	SET-2402-0100	提升系统	1	818	818
8	EL000-2402-00	提升系统	2	6.0	12.0
7	MC000-00	提升系统	1	80	80
6	LU00-03101-00	提升系统	1	1361	1361
5	LU00-03101-00	提升系统	1	594	594
4	EM00-2402-00	提升系统	2	10.871	6.800
3	CB001-00	提升系统	2	2334	4668
2	HS000-2402-00	提升系统	1	4065	4065
1	HS002-2402-00	提升系统	1		

NO.	SUB-NO. or STD	NAME & SIZE	UNIT or STD/UNIT	SCALE
PROJECT: 20' / 40' / 45' / twin-twenty expanding twin-lift spreader				
DRAW NO.		SET	MRRR-2402	
THICK	CHK	DATE	14/8	
CHK	VER	DATE	13/4	